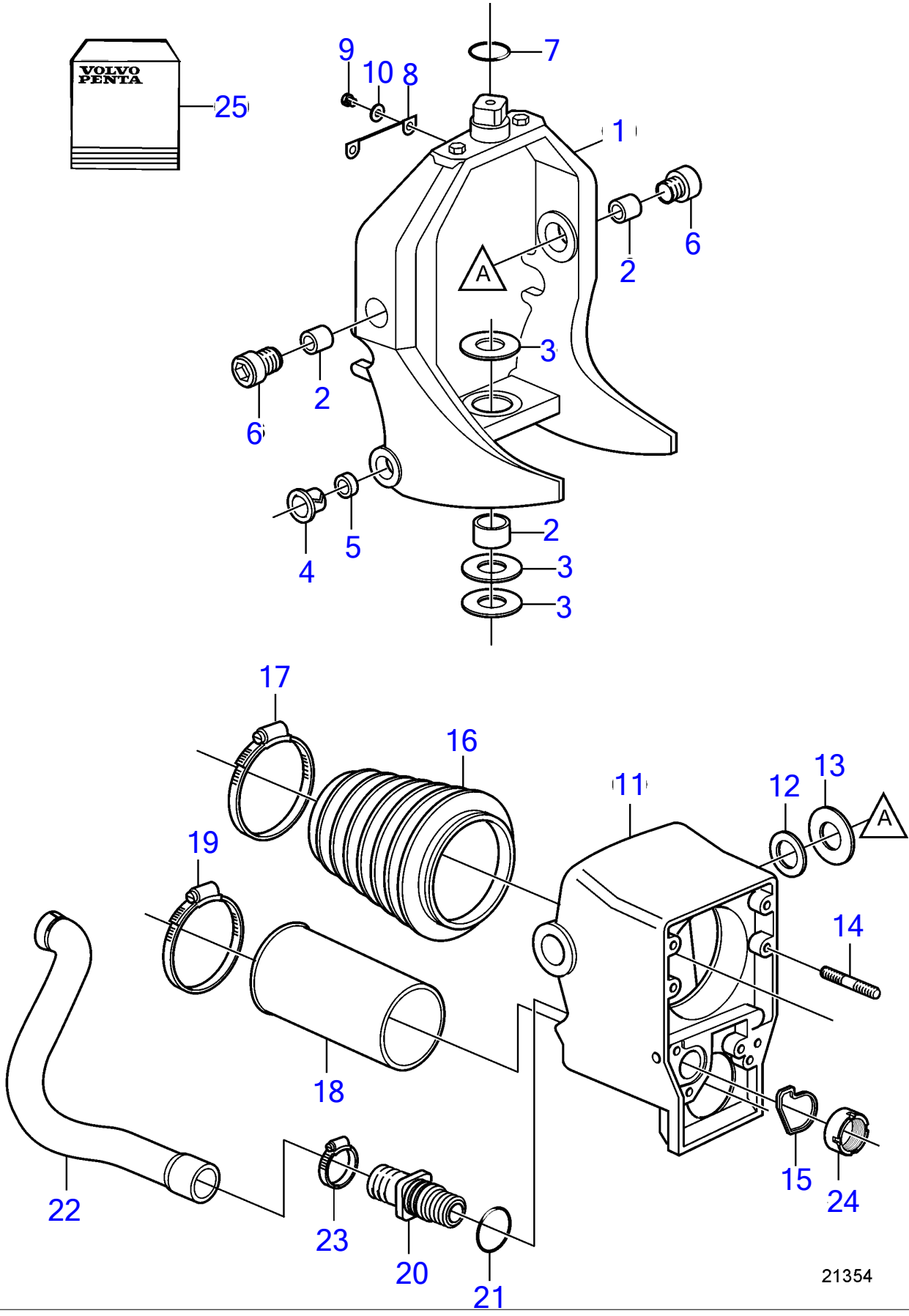


SX-MHP



21354

SX-MHP

REF	PART NO.	QTY	DESCRIPTION	NOTES
1	3808368	1	Ring	
2	3808228	3	• Bearing bushing	
3	3852557	3	Washer	
4	3853423	2	Bushing	
5	3853424	2	Grommet	
6	3852316	2	Screw	
7	3852044	1	O-ring	
8	3857347	1	Ground cable	
9	3852050	2	Screw	
10	3852193	2	Washer	
11	3807964	1	Housing	
12	3852697	2	• Washer	
13	3852558	2	• Washer	
14	3852551	6	• Stud	
15	3852560	1	• Sealing	
16	3841481	1	Bellows kit	replaced by next part number
	22197130	1	Bellows kit	
17	3852604	1	• Hose clamp	
	22274887	1	Hose clamp	included in 22197130
18	3587641	1	Bellows	
19	3852603	1	Hose clamp	
20	3807819	1	Nipple	1.25", 32mm
21	983513	1	O-ring	
22	3807890	1	Hose	
23	3852602	1	Hose clamp	
24	3807821	1	Nut	
25	3858631	1	Sealing kit	